

Raytheon

Raytheon Marine GmbH
High Seas Products
Postfach 1166
D – 24100 Kiel
Germany
Tel +49-4 31-30 19-0
Fax +49-4 31-30 19-291
Email Service@raykiel.com
www.raytheon-marine.de

RComA2

GMDSS A2 Station

System Description

Weitergabe sowie Vervielfältigung dieser Unterlage, Verwertung und Mitteilung ihres Inhaltes nicht gestattet, soweit nicht ausdrücklich zugestanden. Zuwiderhandlungen verpflichten zu Schadenersatz.

Toute communication ou reproduction de ce document, toute exploitation ou communication de son contenu sont interdites, sauf autorisation expresse. Tout manquement à cette règle est illicite et expose son auteur au versement de dommages et intérêts.

Copying of this document, and giving it to others and the use or communication of the contents thereof, are forbidden without express authority. Offenders are liable to the payment of damages.

Sin nuestra expresa autorización, queda terminantemente prohibida la reproducción total o parcial de este documento, así como su uso indebido y/o su exhibición o comunicación a terceros. De los infractores se exigirá el correspondiente resarcimiento de daños y perjuicios.

Table of Contents

1	General	1
1.1	MF/HF with DSC Radiotelephone TRP 1150	1
1.2	VHF 1000 DSC VHF–Radio	2

Annex;

Annex 1

GMDSS–Desktop A2, Connection Diagram 850 D 003 HP008

Spare Parts Catalogue

Documentations:

MF/HF with DSC Radiotelephone TRP 1150, Doc. No. 3630

VHF 1000 DSC, Doc.No. 3528 and Doc.No. 3529

Battery Charger, Doc. No 3632

AC Power Supply, Doc.No. 3633

Options:

A2 Antenna Set

Comprising

- MF/HF TX/RX type AT82
- MF/HF DSC RX type AR52
- VHF TX/RX type Av7
- VHF DSC RX type Av7

Antenna Cable Set

Comprising

Antenna cable 4 x RG213/U 30m

1

General

The RComA2 GMDSS Station comprises MF/HF radio station TRP 1150 with built-in DSC controller/telephone and VHF radiotelephone and VHF radiotelephone with built-in DSC controller, type VHF 1000.

1.1

MF/HF with DSC Radiotelephone TRP 1150

MF/HF Radio Waves

MF/HF radiocommunications provide a medium and long range service. The 1.6 – 4 MHz marine band is intended primarily for coastal operation beyond normal VHF communication range. A reliable range of more than 150 nautical miles can be expected in most areas in the daytime, more in the nighttime. The high frequency range 4 – 30 MHz can provide communication for hundreds or even thousands of nautical miles. The long range is achieved by sky waves reflected from the ionosphere.

Radiotelephone

The mode of emission used for telephony transmissions in the marine bands is SSB (single sideband, J3E). AM mode is used when receiving broadcast transmissions. The international distress frequency for the radiotelephony in the MF band is 2182kHz.

The frequencies for radiotelephone distress and safety traffic in the HF bands are 4125kHz, 6215kHz, 8291kHz, 12290kHz and 16420kHz.

DSC

DSC (Digital Selective Calling) is an automatic calling system which allows a specific station to be contacted and made aware that a station wishes to communicate with it. In addition to calls to specific stations the system can be used to call *all ships* and groups of ships and this is of significance for its use for DSC distress alerting.

(Detailed Information see Manual MF/HF with DSC Radiotelephone TRP 1150 Doc. No. 3630. Doc 052.)

RComA2 GMDSS Station

1.2

VHF 1000 DSC VHF–Radio

The VHF 1000 DSC fulfils the latest requirements for VHF and DSC (digital selective calling function) Class A and thus ideal for safe communication.

(Detailed Information see Operator Manual VHF 1000 DSC, Doc. No. 3528 and Installation Manual, Doc. No. 3529.)

VHF-Marine-Antenna
DSC-RX whip

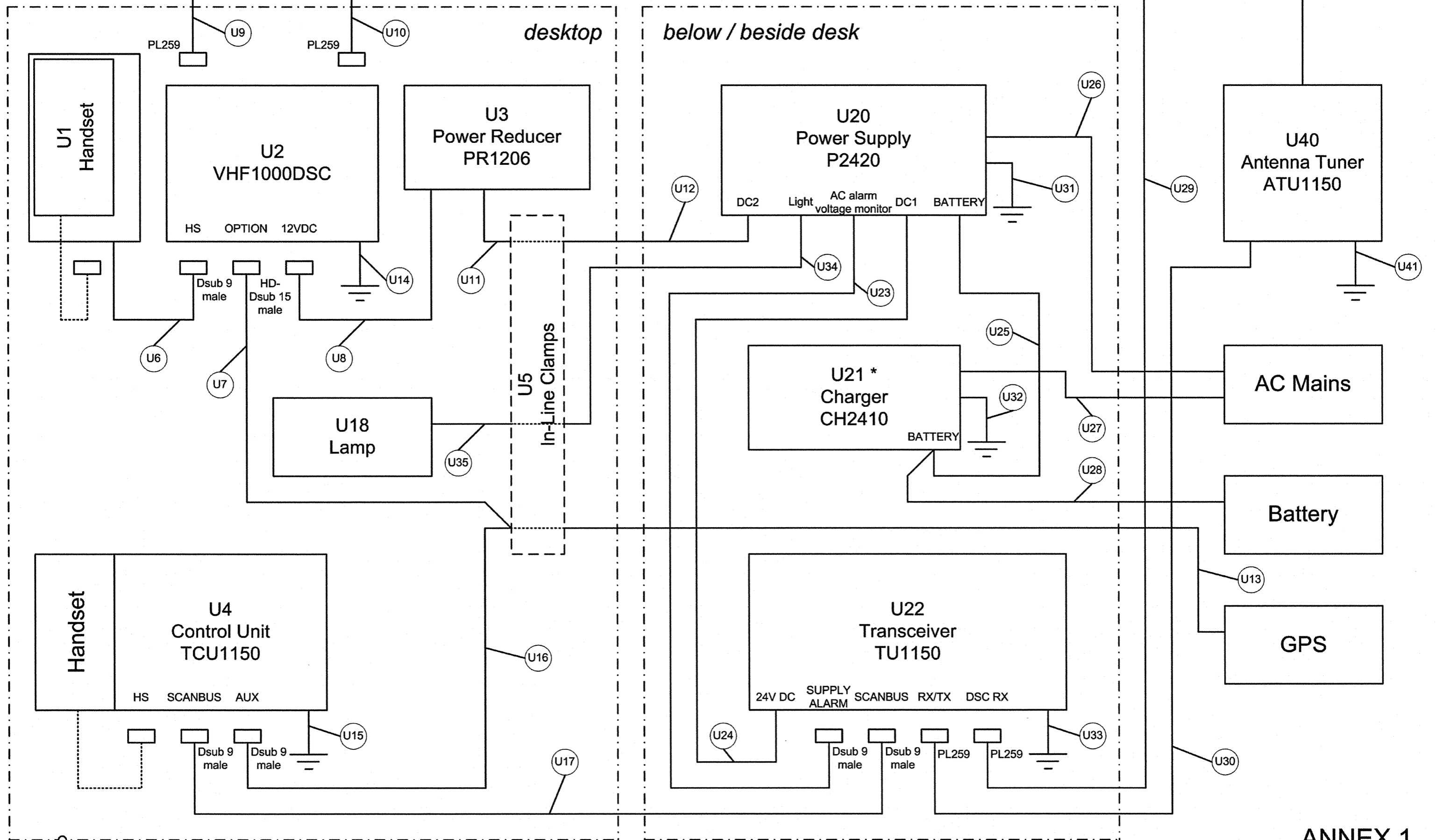
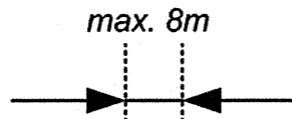
VHF-Marine-Antenna
RX/TX whip

MECHANICAL LAYOUT FOR STANDARD CABLES

MF/HF-Marine-Antenna
DSC-RX
min. 5 m whip or wire

MF/HF-Marine-Antenna
RX/TX
min. 8 m whip or wire

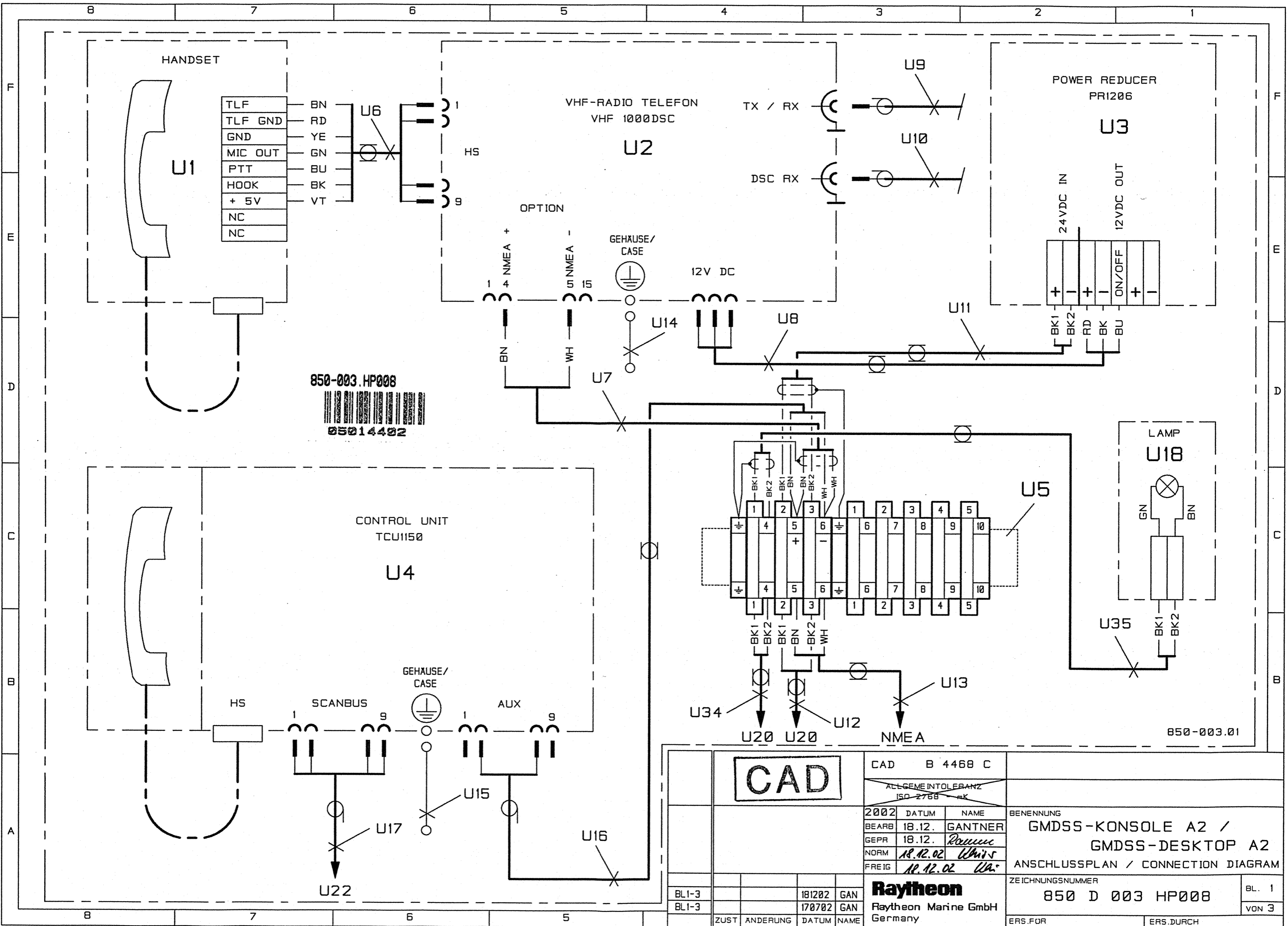
Equipment A	Equipment B	Max. Distance
Transceiver TU1150	Power Supply P2420	2 m
Charger CH2410	Power Supply P2420	2 m
Battery	Power Supply P2420	4 m



Desktop Ground Terminal
min. 2.5 mm² wire, max. 200 mm length

* Option (depending on order)
The CH2410 is recommended for this system.
A charger is necessary for GMDSS conformity.

FÜR DIESE TECHNISCHE UNTERLAGE BEHALTEN WIR UNS ALLE RECHTE VOR. FOR THIS TECHNICAL DOCUMENT ALL RIGHTS RESERVED.

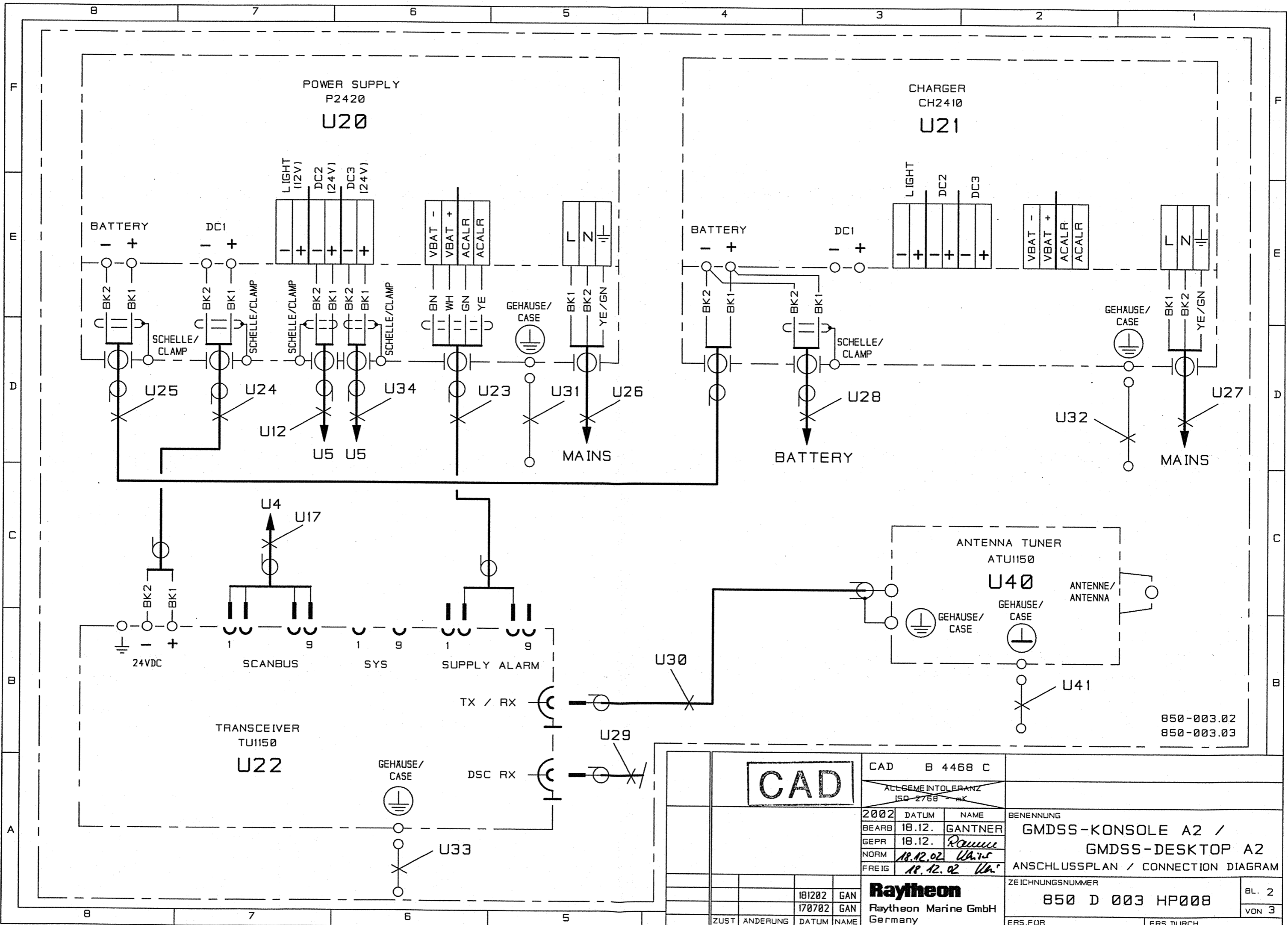


850-003.HP008

 05014402

CAD		CAD B 4468 C		ALLGEMEINTOLERANZ ISO 2768 - mK	
		2002	DATUM	NAME	BENENNUNG
	BEARB	18.12.	GANTNER		GMDSS-KONSOLE A2 / GMDSS-DESKTOP A2 ANSCHLUSSPLAN / CONNECTION DIAGRAM
	GEPR	18.12.	<i>Drum</i>		
	NORM	18.12.02	<i>Whit's</i>		
	FREIG	18.12.02	<i>Wh</i>		
ZEICHNUNGSNUMMER		850 D 003 HP008		BL. 1	
ERS.FÜR		ERS.DURCH		VON 3	
BLI-3		181202	GAN	Raytheon Raytheon Marine GmbH Germany	
BLI-3		170702	GAN		
ZUST	ANDERUNG	DATUM	NAME		

FOR THESE TECHNISCHE UNTERLAGE BEHALTEN WIR UNS ALLE RECHTE VOR. FOR THIS TECHNICAL DOCUMENT ALL RIGHTS RESERVED.



850-003.02
850-003.03

CAD		CAD B 4468 C		BENENNUNG GMDSS-KONSOLE A2 / GMDSS-DESKTOP A2	
		ALLGEMEINTOLERANZ ISO 2768 - mK			
2002	DATUM	NAME		ANSCHLUSSPLAN / CONNECTION DIAGRAM	
BEARB	18.12.	GANTNER			
GEPR	18.12.	Rausch			
NORM	18.12.02	Uhr 15			
FREIG	18.12.02	Uhr 15		ZEICHNUNGSNUMMER 850 D 003 HP008	
ZUST		181202	GAN	Raytheon	
ANDERUNG		170702	GAN		
DATUM		NAME		ERS.FOR	
DATE		NAME		ERS.DURCH	

BL. 2
VON 3

FOR THESE TECHNISCHE UNTERLAGE BEHALTEN WIR UNS ALLE RECHTE VOR. FOR THIS TECHNICAL DOCUMENT ALL RIGHTS RESERVED.

8 7 6 5 4 3 2 1

DIN CODE	BENENNUNG / DENOMINATION	TYP/ZEICHN.-NR. / TYPE/DRAWING NO.	POS.NO.	AUS STÜCKLISTE / FROM PARTS LIST	BEMERKUNGEN / REMARKS
U1	HANDSET WITH CABLE	73056295		VHF 1000 DSC	
U2	VHF-RADIO TELEFON	VHF1000DSC	100	850-003.01	
U3	POWER REDUCER	PR1206	110	850-003.01	
U4	CONTROL UNIT	TCU1150	120	850-003.01	
U5	SUPPORT CHAIN	NB60-085	200	850-003.01	
U6	CABLE	NB60-086-0.8M	20	850-003.01	
U7	CABLE	SABIX D315	50	850-003.01	2x0.25 QMM SCHIELED
U8	CABLE	POWER CABLE			DELIVERED WITH VHF1000DSC
U9 *	CABLE	RG213/U			MAX. 30M
U10 *	CABLE	RG213/U			MAX. 30M
U11	CABLE	NB60-084-0.5M	30	850-003.01	
U12 *	CABLE	SABIX A238	80	850-003.03	2x2.5 QMM SCHIELED
U13 *	CABLE	SABIX D315			MAX. 30M 2x0.25 QMM SCHIELED
U14 *	CABLE	2.5qMM	10	850-003.01	SPAREPARTS ADDED: POS.60 IN POS.210
U15 *	CABLE	2.5qMM	10	850-003.01	
U16	CABLE	NB60-080-0.5M	40	850-003.01	
U17	CABLE	NB60-079-9.0M	100	850-003.03	
U18	LAMP	B06503 0100	130	850-003.01	
U20	POWER SUPPLY	P2420	100	850-003.02	
U21 *	CHARGER	CH2410			SKANTI 80465691 RMS-ID-NR:1.791 177
U22	TRANSCEIVER	TU1150	120	850-003.02	
U23	CABLE	NB60-081-3.0M	110	850-003.03	
U24	CABLE	NB60-082-3.0M	120	850-003.03	
U25	CABLE	NB60-083-3.0M	130	850-003.03	
U26 *	CABLE	MAINS			3x1.5 QMM
U27 *	CABLE	MAINS			3x1.5 QMM
U28 *	CABLE	SABIX A812C			3x10 QMM SCHIELED (GN/YE UNUSED)
U29 *	CABLE	RG213/U			MAX. 100M
U30 *	CABLE	RG213/U			MAX. 100M
U31 *	CABLE	2.5qMM	10	850-003.03	2.5 QMM GN/YE
U32 *	CABLE	2.5qMM	10	850-003.03	2.5 QMM GN/YE
U33 *	CABLE	16qMM	20	850-003.03	16 QMM GN/YE
U34	CABLE	SABIX D315	90	850-003.03	9M 2x1.0 QMM SCHIELED
U35	CABLE	SABIX D315	90	850-003.03	0.5M 2x1.0 QMM SCHIELED
U40	ANTENNA TUNER	ATU1150	130	850-003.02	
U41	GROUNDING STRIP	850-003.10	30	850-003.03	

* DEPENDS ON ORDER

DISTANCE BETWEEN DESKTOP (850-003-01) AND COMPONENTS (850-003-02) MAX. 8M

EQUIPMENT A	EQUIPMENT B	MAX. DISTANCE
TRANSCEIVER TU1150	POWER SUPPLY 2420	2M
CHARGER CH2410	POWER SUPPLY 2420	2M
BATTERY	POWER SUPPLY 2420	4M

CAD	CAD B 4468 C		ALLESEMINTOLERANZ ISO 2768 - mK	
	2002	DATUM	NAME	BENENNUNG
	BEARB	18.12.	GANTNER	GMDSS-KONSOLE A2 /
	GEPR	18.12.	<i>Damm</i>	GMDSS-DESKTOP A2
	NORM	18.12.02	<i>Ua:1-5</i>	ANSCHLUSSPLAN / CONNECTION DIAGRAM
FREIG	18.12.02	<i>Ua:</i>	ZEICHNUNGSNUMMER	
			850 D 003 HP008	BL. 3
			Raytheon	VON 3
			Raytheon Marine GmbH	ERS.FÜR
			Germany	ERS.DURCH

8 7 6 5 4 3 2 1

